

After Power ON, the Status LED on a Clevertest Plus enabled fitting will display a rapid Green or Red flashing for a period up to 2 minutes.

Zoneworks, HIVE and DATA Monitored Options

Fittings with part numbers -ZW, -HV/-HVG, -DATA are fitted with Zoneworks communications modules (nodes). These fittings are monitored using either Powerline Carrier Technology that utilize the power cable to provide data communication, RF transceiver modules operating in the ISM band or a dedicated data cable to/from data routers installed on a dedicated data trunk connected to a central Server (can also be connected via Ethernet/Internet/Fibre). Zoneworks software on the server is used to monitor, coordinate testing and collate test data from each fitting. Zoneworks Fittings can be commissioned by a single push of the test switch or by scanning the supplied barcode. The LED Test Switch indicator provides a multifunction indication of the status of the fitting during testing and normal operation:

Option	State	LED Operation
ZW, HV, HVG, DATA	Commissioned	LED on Solid (Green)
ZW, DATA	Un-commissioned	Batt plugged-in: yellow 1s, green 1s
		Batt unplugged: red 1s, off 1s
HV, HVG	Un-commissioned With network connectivity	Batt plugged-in: yellow 1s, green 1s
		Batt unplugged: red 1s, off 1s
HV, HVG	Un-commissioned Without network connectivity	Batt plugged-in: yellow 250mS, green 250mS, yellow 250mS, green 250mS, green 1s
		Batt unplugged: red 250mS, off 250mS, red 250mS, off 250mS, off 1s
ZW, DATA	Emergency Light Test In Progress	LED flashes at yellow 5s, Off 1s
HV, HVG	Emergency Light Test In Progress	LED flashes at yellow 1s, Off 1s

In the case of the DATA version a 2-way “figure 8” cable and terminal block facilitates the connection to the DATA network via a multi-drop bus (daisy chain connection). For further information of installation of a Zoneworks system, please refer to the Zoneworks Users Guide and Commissioning Guide (incl. DATA version)

DALI EM Option

Luminaires with part numbers having -DALI are fitted with DALI modules (nodes) that facilitate connection and integration to 3rd Party Lighting Control Systems. Before installing the -DALI luminaire, please confirm that the Lighting Control System has the capability to monitor DALI Emergency Luminaires. The -DALI fitting will be addressed and configured into the control system by the Lighting Control System Commissioning Technicians and not Clevertronics.

State	LED Operation
Commissioned/ Un-commissioned	LED on Solid (Green)
Emergency Light Test in progress	LED flashes at 1s On (Yellow) & 1s Off
“IDENTIFY COMMAND”	Lamp and Status LED Flash for 30 seconds

A 2-way “figure 8” cable and terminal block facilitates the connection to the DALI network. DALI connections are marked as Da Da.

L10™ LIFELIGHT PRO Surface Mount Emergency

Installation & Maintenance Instruction Leaflet



Victoria (Head Office & Manufacturing)
 Website: www.clevertronics.com.au
 Email: info@clevertronics.com.au
 Phone: +61 3 9559 2700
 Fax: +61 3 9559 2799

New South Wales
 Phone: +61 2 8805 6400
 Fax: +61 2 8805 6444


Queensland
 Phone: +61 7 3442 9700
 Fax: +61 7 3442 9777

South Australia/Northern Territory
 Phone: +61 8 8301 8800
 Fax: +61 8 8351 8286

Western Australia
 Phone: +61 8 9207 0000
 Fax: +61 8 9207 0088

New Zealand
 Phone: +64 800 548 448

Designed in Australia to comply with the requirements of AS2293.3: 2005 and AS CISPR15: 2017.

NOTE: Standard product codes with this symbol  are enabled with Clevertest Plus capability. Please refer to the operation guide supplied with the product for details.

Models: LLIFEz-PRO-SMC-xx-yy

Testing:

Manual Test xx = Blank
 Zoneworks xx = ZW
 Zoneworks DATA xx = DATA
 DALI Registered xx = DALI
 DALI-2 xx = D2
 HIVE xx = HV/HVG

Options:

Black yy = BLK
 Maintained z = M

Spare Parts:

1530230 Replacement Battery
 1100869 Replacement Emergency LED
 1100872 Replacement Emergency LED (-BLK)
 AUM01370210001 Replacement Emergency Driver
 AUM01370630001 Replacement Emergency Driver (-MNT)

Important:

It is illegal for anyone, except for a licensed electrician to install or maintain this product. Before installation, ensure that the electricity supply has been switched off and isolated. Installation must be carried out in accordance with the relevant Australian and International Standards.

Installation:

This Lifelight Pro Cylindrical Surface Mount Emergency Luminaire can be installed on solid or T-BAR ceilings or used to replace an existing unit.

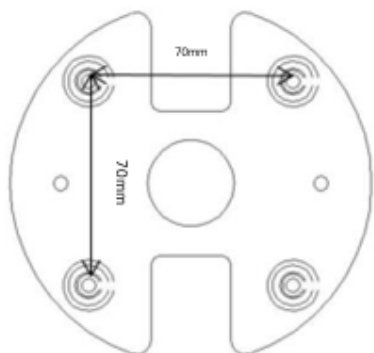
- Locate the installation position.
- Refer Images and Dimensions below for the Cut-out Hole and other dimensions.
- Pre-drill mounting holes.
- Mount base plate and use suitable fixings to secure the base plate into the pilot holes.
- Bring in supply cables via the rear entry hole.
- Terminate the supply cables to the L, N & E terminals (in the case of the –DALI or –DATA fittings terminate the DALI or DATA cable to the terminals marked Da Da or DATA).
- Install the cylindrical top cover, containing the control gear, ensuring to reconnect the control gear assembly to the connector from the supply terminal block.
- Ensure the Battery is connected.
- Screw the cover to the base plate.
- For HIVE version please install provided antenna on the side.
- If the CTP capabilities are activated, please affix the CTP status label to a visible surface and Four Segment Marking on the product will include an "F" in third segment block.

Networking:

When installing the product on a monitored network, (ZONENETWORKS, DATA, HIVE, DALI) simply insert the relevant Smart Node PCA.

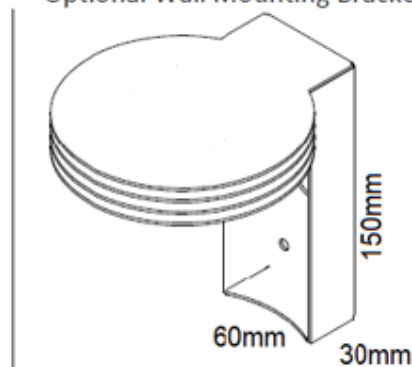
Images and Dimensions:

Ceiling Mounting Bracket



Luminaire Dimensions	245mm (L) x 128mm (D)
Distance b/w Mounting Holes	70mm x 70mm
Weight	1.9Kg

Optional Wall Mounting Bracket



Distance b/w Mounting Holes	35mm x 90mm
Weight	0.7Kg
Part Number (White/Black)	2740045/2740048

Wall Mount Bracket is optional and needs to be ordered separately, comes with additional instructions.

Testing:

When the Lifelight Pro Cylindrical Surface Mount Emergency Luminaire unit is connected to the un-switched active, it must be allowed to charge the battery for at least 24 hours. The emergency lamp only illuminates during a power fail. Conduct the following tests:

- The emergency lamp must illuminate for at least 2 hours after disconnection from the mains. The results of all tests are required to be recorded in a service logbook, which is to be kept on-site at all times. If the unit fails to illuminate for the requisite time, remedial action must be taken to repair the situation and once completed, the unit must pass a subsequent test.
- Press and hold Test Button or switch Off Mains Supply, check that the emergency lamp is On.
- Release the Test Button or Switch On Mains Supply, check that the emergency lamp is Off (Non-maintained operation).

Below are a list of common problems and their possible causes:

Fault: The Green LED indicator is not illuminated.

Check: A.C. is connected and is turned on.
Battery is connected.
Test Switch for damage.

Fault: Lamp does not illuminate in emergency mode.

Check: A.C. is connected.
Lamp is correctly inserted.
Battery is connected.

Fault: Lamp illuminates in emergency mode, but only stays on for a short period.

Check: Battery has been allowed to charge for at least 24 hours.
Battery for damage.

Rated Emergency Lumen Output in accordance with AS2293.1 (refer to spacing tables for installation positions):

Refer to the Technical Label for classification information.

Caution:

On many building sites, power circuits may be cut off in an uncontrolled and repetitive basis during construction. As a result, any Exit & Emergency Units, on these circuits, will have their batteries discharged or "cycled". The battery in this fitting has been selected to give excellent long-life performance in a controlled AS2293 testing environment. Excessive battery cycling will reduce through-life performance and may lead to premature battery failure. Battery warranty claims, as a result of such abuse, are specifically EXCLUDED from Clevertronics warranty terms.

Warranty:

For Product Warranty information and Terms and Conditions of Sales please refer to our website <http://clevertronics.com.au/terms-conditions-sale-australia-nz/>